



At Inwall Cavity Frames we have a range of standard cavity frames ready at all times, but what we really specialise in is the custom and unusual.

If your door is a bit taller, a bit wider or both we can custom build you a cavity frame to suit in a variety of finishes, whether that be the classic Architrave Finish, the ever popular squareset finishes or the modern and sleek looking P50 Shadowline.

Call our friendly estimating department and we will be happy to discuss your requirements and organise a quote to your local reseller.



Inwall Cavity Frames Pty Ltd
ABN: 70 658 876 058
33 Cameron Street
Cranbourne
PH: (03) 9000 9255
www.inwall.com.au

Jexis Door Ejector Installation Guide - Rated to 70kgs

WARNING

The instructions in this pamphlet **must** be completed prior to sheeting your wall as the metal impact plate must be fitted to the backpost of the cavity frame. If your cavity frame has already been plastered in without removing the buffers and installing the impact plate then **you will not** be able to install a Jexis Door Ejector.





Inwall Cavity Frames Pty Ltd
 ABN: 70 658 876 058
 33 Cameron Street Cranbourne
 PH: (03) 9000 9255
 www.inwall.com.au

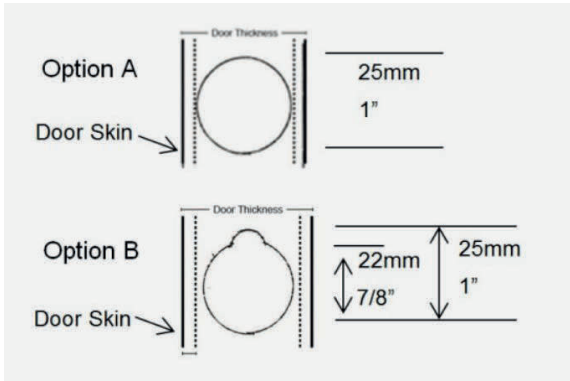
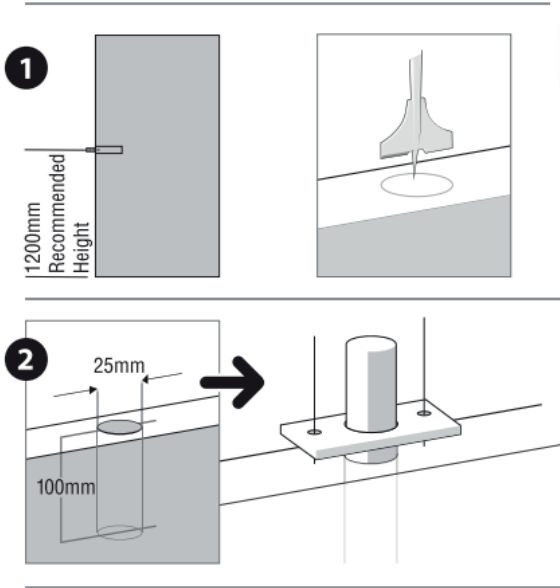
Jexis Door Ejector Installation Instructions



STEP 1 (Door Prep)

Determine which edge of the door will be going into the pocket, measure 1200mm up from the base of the door and find the centre point. Mark the door using a 25mm speedbore drill bit and drill a hole to a depth of 100mm as per drawing A.

Alternatively, for narrow doors with minimal clearance a 22mm hole can be drilled using a round rasp to allow for extra clearance as per drawing B.



Fit your Jexis Door Ejector into the drilled hole and fasten with 2 x countersunk screws provided.

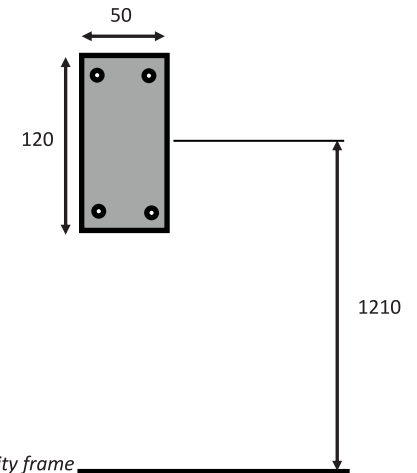
STEP 2 (Cavity Prep)

Standard cavity frames come with rubber buffers attached to the backpost. It is important to check for the buffers and remove them prior to installation of your Jexis Door Ejector.

Supplied with your Jexis there will be a metal impact plate. We provide this to protect the backpost as over time it is likely the Jexis will make an indent which will negatively affect performance of the Jexis.

Identify where the Jexis will be striking the backpost (see below diagram) and securely fasten the plate with the 4 x buttonhead screws provided ensuring plate is sitting flat against backpost.

Once the plate is fixed you can now hang your door as per normal.



Bottom of cavity frame